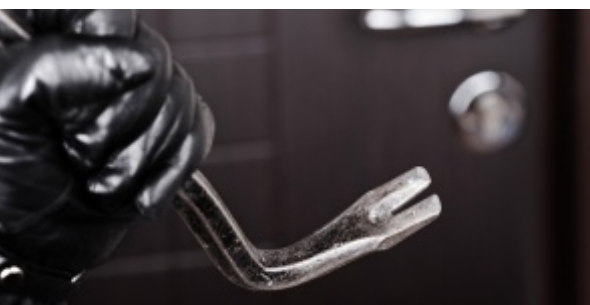




ENHANCE YOUR
COMFORT WITH TRIED
AND TESTED SECURITY
FOR YOUR HOME,
OFFICE AND RETAIL
LOCATION



EVOLVE

BURGLARY-RESISTANT PROTECTION

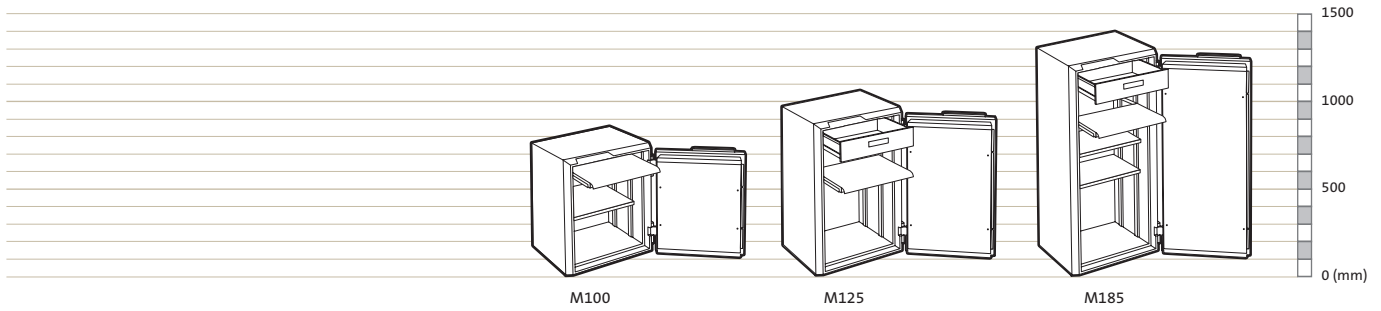


KEY FEATURES

- Class B high-security electronic lock, approved in accordance with EN 1300.
- Automated opening and locking system with keypad lock placement at the top of door.
- Ergonomic, handle-free design with chamfered edges.
- Innovative storage options for quick access to smaller items.
- Grade 1 burglary protection certified by the European Certification Board of Security (ECB•S) in accordance with the EN 1143-1 European standard.
- Three sizes that favour height over depth to adapt to a range of different spaces.
- Ideal for home, small office or retail location.
- Plug-in version with battery-power back-up system.

EVOLVE

PRODUCT SPECIFICATIONS



Model	External height (mm)	External width (mm)	External depth (mm)	Internal height (mm)	Internal width (mm)	Internal depth (mm)	Total Weight (kg)	Door weight (kg)	Body weight (kg)	Internal volume (litres)	Clear opening width (mm)
M100	690	600	500	590	500	328	151	42	109	100	1055
M125	876	600	500	776	500	328	186	56	130	125	1055
M185	1200	600	500	1100	500	328	247	81	166	185	1055

SMART

Chubbsafes Evolve is the only EN 1143-1-certified, ergonomic safe with an automated opening and locking system on the market today.

The handle-free design offers quick and easy access to valuables. Positioned on top of the door, the keypad lock features a grip height that provides optimal comfort: you can now enter the code in a standing position without having to bend down. The higher, shallower design means less reaching into the safe.

SECURE

Chubbsafes Evolve has been approved Grade 1 burglary protection certified by ECB•S, in accordance with the European standard, EN 1143-1. The high-security electronic lock is tested by ECB•S and certified in accordance with the EN 1300 standard, and includes the following features:

- 1 master code, 1 supervisor code and 7+ user codes.
- Time delay of up to 99 minutes between lock being operated and door being opened. Also equipped with time-delay override.
- Open and close signal.

SLEEK

Chubbsafes Evolve is one of the most stylish safes on the market today. The high-quality, satin-textured polyurethane paint finish provides a sleek look. The rounded, chamfered edges add a graceful touch. The model 100 is supplied with one shelf as standard and the models 125 & 185 are supplied with two shelves.

Authorised dealer

www.chubbsafes.com