

**EFFICIENTLY STORE
YOUR SENSITIVE
DOCUMENTS AGAINST
FIRE**



FRFC

FIRE RESISTANT FILING CABINET



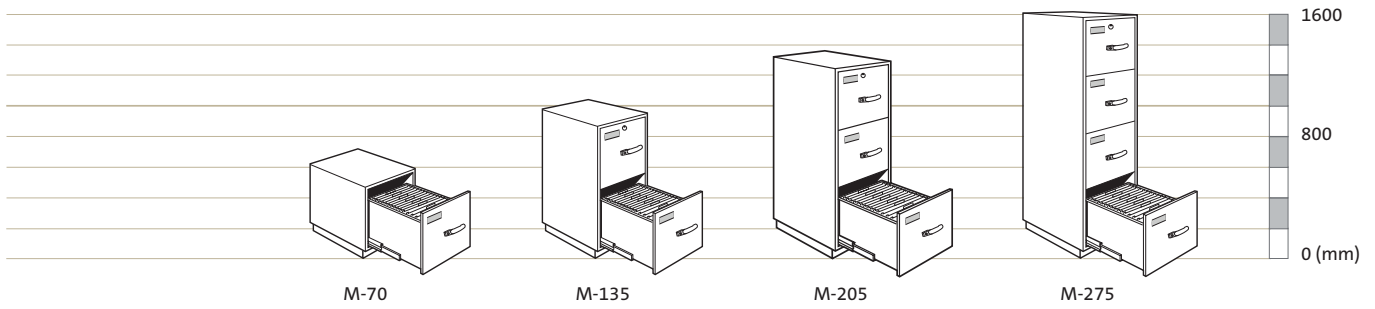
IS 14561
60 or
120mins

KEY FEATURES

- BIS-certified as fire resistant, according to IS 14561
- Unique interlocking system for an individual drawer access
- Fire resistant partition for each drawer
- Palusol strip protection on the drawer
- Shock absorption plinth at the bottom for protection in case of a floor collapse
- Heavy-duty slides for a smooth and easy operation
- Aesthetic design to suit any office interior
- Optional combination lock
- Pan India service and installation network
- Heavy-duty slides for a smooth and easy operation
- Aesthetic design to suit any office interior
- Optional combination lock
- Pan India service and installation network

FRFC

PRODUCT SPECIFICATIONS



Model	External Height (mm)	External Width (mm)	External Depth (mm)	Capacity (litres)	Net Weight (kg)	No. of Drawers	Fire Resistance
M-70	497	551	779	68	145	1	60/120 min.
M-135	862	551	779	136	221	2	60/120 min.
M-205	1227	551	779	205	305	3	60/120 min.
M-275	1592	551	779	273	398	4	60/120 min.

Note: Tolerance on dimensions +/-10%. Tolerance on weight +10%.



LOCK OPTIONS

Fitted with a single key lock as standard. Can be optionally equipped with a mechanical combination lock.



TESTING

Rigorous tests conducted for superior barrier strength to withstand even the most advanced attacks.

BEST-IN-CLASS DESIGN AND BUILD QUALITY, MADE IN INDIA.

Authorised Chubb safes Reseller

Gunnebo India Pvt. Ltd
 Unit No.102, 1st Floor, Akruiti SMC,
 LBS Marg, Khopat. Thane - 400601,
 Maharashtra, India
 Tel. +91 22 6780 3500 Fax: +91 22 6780 3535
 For more information call 1800 22 3525, 1800 209 3040 (Toll Free), 022 6780 3600 or
 Email us at customercare.india@gunnebo.com

www.chubbsafes.com

BY **GUNNEBO**

Chubbsafes
 Trusted the world over.

The data given in this material may be subject to change without further notice. This document is not contractually binding. The 'Chubb' brand is owned by Chubb plc and is a registered trademark used under license. See www.chubbsafes.com for more information.