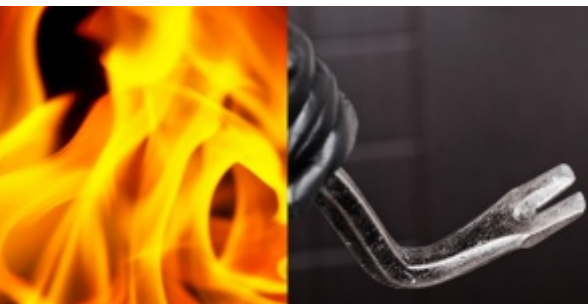




**MEDIUM TO HIGH SECURITY SAFE** FOR THE PROTECTION OF CASH AND VALUABLES AGAINST BURGLARY ATTACKS AND FIRE



# CUSTODIAN SAFE

BURGLARY & FIRE-RESISTANT PROTECTION



## KEY FEATURES

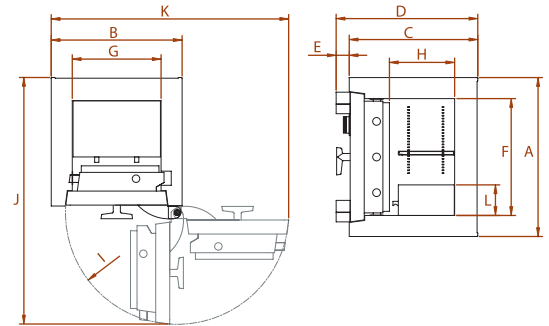
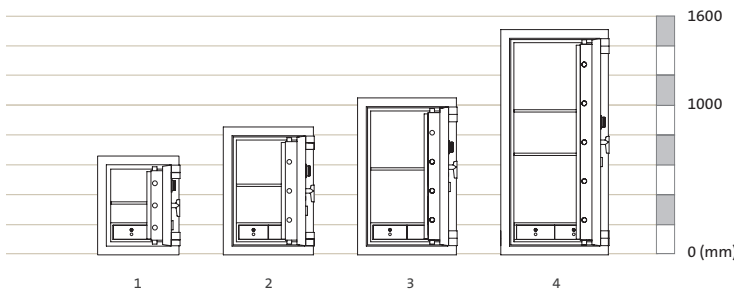
- Overall body thickness 90mm consist of inner and outer plates enclosing a seamless casting of Chubbsafes CENTRIX II specially formulated barrier material, provides formidable barrier to potential attacks.
- Overall door thickness of 168mm with an effective thickness of 60mm filled with Chubbsafes CENTRIX II specially formulated steel fibre barrier material to increase overall strength.
- Door is secured by 3-way moving steel bolts 32mm in diameter. A full length docking bolt secure the back edge of the door.
- Fitted with a 3-wheel Keyless Combination Lock protected by a Glass Relocker and a 8-lever Key Lock. The key lock and relocker are further protected by drill resistant hard plates.
- Fire Resistance tested to a level corresponding to the Japanese Industrial Standard JIS S1037 - 1981 with fire resistance for up to 120 minutes.
- A Polyurethane base paint finish is used to coat the body and door. The paint is scratch resistant and durable.

# CUSTODIAN SAFE

## PRODUCT SPECIFICATIONS

size	(A) Ext height (mm)	(B) Ext Width (mm)	(C) Ext Depth (mm)	(D) Clear depth over hinge	(F) Int Height (mm)	(G) Int width (mm)	(H) Int depth (mm)	(I) Door swing	(J) Depth with door at 90°	(K) Width when door at 180°	Nett weight (kg)	Gross weight (kg)	capacity (Litres)	Nett weight with Night Drawer Trap (kg)
1	680	560	550	606	500	380	270	478	1055	1016	370	410	51	490
2	880	620	610	666	700	440	330	538	1175	1136	520	568	102	615
3	1080	680	680	736	900	500	390	597	1294	1254	720	788	176	850
4	1550	740	900	956	1370	560	620	658	1585	1376	1250	1335	476	-

\* (E) Furniture projection 56mm / (L) Internal drawer height 130mm



### STANDARD LOCKS



#### KEY LOCK

secured by one 8-lever double bitted Key Lock from Germany is fitted as standard.



#### COMBINATION LOCK

Secured by one 3-wheel Keyless Combination Lock as standard. Capable of 1,000,000 changes of code. The code can be changed easily and security can be maintained over the safe whenever there is a change of staff.

### INTERNAL FITTINGS

The safes come with a standard adjustable shelf and internal drawers secure by a key lock.

### LOCK OPTIONS:



#### ELECTRONIC LOCK



#### GSL LOCK

Electronic lock with multiple user, audit trail and time lock function

### OPTIONS

#### NIGHT DRAWER TRAP (NDT)

For night deposit with "Anti-Fishing Plate"  
 Drawer Clear Opening: 239mm(W) x 153mm(H) x 125mm(D)  
 Night Drawer Trap External Height: 254mm

#### ENVELOPE SLOT

Envelope slot on the top of the safe for night deposit with "Anti-Fishing Plate". Slot size 13mm(W) x 152mm(L)

Authorized dealer

GUNNEBO MALAYSIA SDN. BHD. (877658-K)  
 Suite 13A.01, Level 13A  
 Menara Summit  
 Persiaran Kewajipan USJ 1,  
 47600 Subang Jaya, Selangor  
 Tel: + 603-8024 3050  
 Fax: + 603-8024 3051  
 Website: www.gunnebo.com.my  
 Email: info.my@gunnebo.com

[www.chubbsafes.com.my](http://www.chubbsafes.com.my)