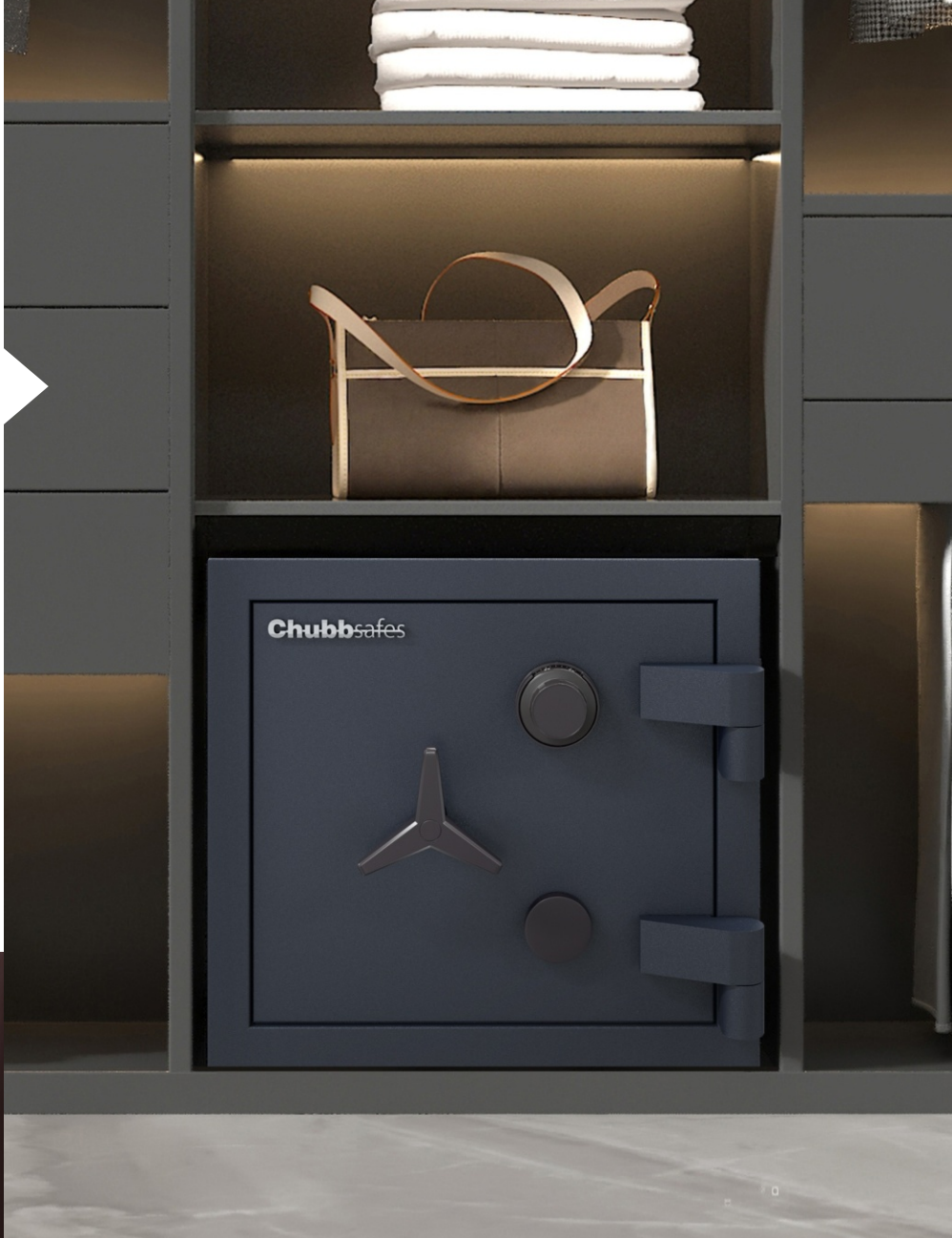
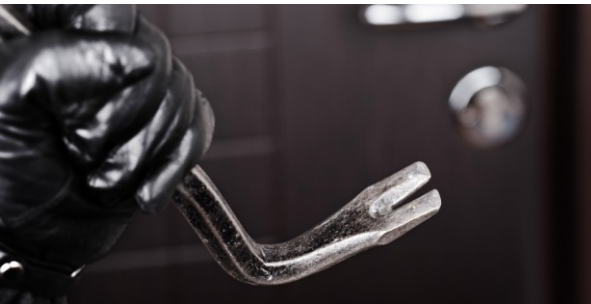




A **COMPACT AND CERTIFIED** SAFE
DESIGNED FOR
RESIDENTIAL AND
RETAIL SEGMENT



VEGA

BURGLARY PROTECTION FOR YOUR VALUABLES

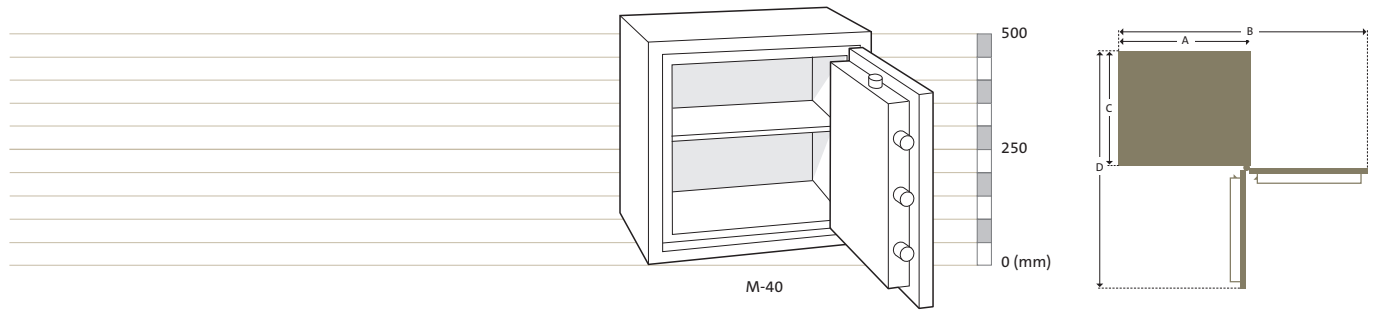


KEY FEATURES

- Capable of being installed in confined spaces.
- EN 1143-1 Grade V certified by ECB•S for universal acceptance.
- Designed to be anchored to the floor or rear wall. Anchor points are provided along with an appropriate and approved anchor bolt.
- Sized to fit into confined spaces such as wardrobes, under counters and within furniture.
- Two high security locks fitted which can be customised to suit client's needs.
- Weigh less than 300Kg
- Reduced door furniture profile to give greater installation possibilities.
- Door can be removed by trained installers to make installation easier in difficult to access locations.
- Secured by 32mm diameter strong steel bolts with three operating horizontally, one each vertically top and bottom and a full height engagement bar on the hinge side.

VEGA

PRODUCT SPECIFICATIONS



Model	External Height (mm)	External Width (mm) (A)	External Depth (mm) (C)	Width With Door Open 180° (B)	Depth With Door Open 90° (D)	Internal Height (mm)	Internal Width (mm)	Internal Depth (mm)	Capacity (litres)	Net Weight (kg)	No. of Shelves
M 40	485	525	498	968	986	355	395	278	39	296	1

Door furniture Projects 55mm beyond the body depth (C)

FITTING

1 adjustable shelf. Internal ladder racking within the safe allows for the shelf supplied to be set at differing positions.

LOCKS

Secured by a choice of EN 1300 certified high security locks, VEGA can be delivered with an access method best suited to client needs.

STANDARD LOCKS

2 Mauer Key locks

OPTIONAL LOCKS

Combination locks and electronic locks per customer's requests.

CERTIFICATION

EN 1143-1 Grade V certified by ECB•S for universal acceptance.

WEIGHTS

Safe body (without door): 223Kg
 Safe door: 73Kg
 Total weight: 296Kg

COLOR

All RAL 7016.

Authorised dealer

www.chubbsafes.com